

CLASS 8, up to 10 years including the current calendar year; Start miles <900K miles; warranty expires at 1M (one million) total miles. All costs are in US dollars.

\$500 deductible per occurrence

Covered Components Summary

CC = Included in Critical Components
LOL = Limits of Liability

Coverage Exclusions: Please refer to your contract for complete list and details of covered and non-covered items.

Engine (LOL \$22,500)

Engine's internally lubricated hard parts include:

- Camshaft and Cam Bearings
- Cam Followers
- Connecting Rods
- Connecting Rod Bearings
- Connecting Rod Caps and Screws
- Crankshaft
- Cylinder Block Casting
- Cylinder Head
- Cylinder Head Gasket
- Cylinder Liners
- Cylinder Head Bolts
- Hydraulic Lifters
- Injector Cups
- Intake and Exhaust Valves
- Intake and Exhaust Valve Guides
- Main Bearings
- Oil Cooler and Housing
- Oil Pan
- Oil Pump Pick Up Screen
- Oil Pump Pick Up Tube*
- Oil Pump Pressure Relief Springs and Valves
- Pistons, Piston Rings, and Piston Oil Cooling Jets
- Pushrods
- Rocker Arms and Rocker Arm Shafts
- Thrust Washers
- Timing Gears
- Timing Gear Cover and Housing
- Valve Cover
- Valve Retainers and Keepers (Locks)
- Valve Seats
- Valve Springs
- Wrist Pins

"Non-oil" related components:

- Exhaust Manifold
- Flywheel Housing
- Intake Manifold
- Thermostat Housing
- Vibration Dampener

*For Detroit Diesels, breakdowns originating from the "oil pump pick up tube O-ring" will only be covered if the TSB D16M3 has been performed by a certified OEM repair shop.

Progressive Damage, Wearout & Carbon Packing

Please refer to your contract for details on Progressive Damage, Wearout and Carbon Packing coverage.

(CC) Engine Fuel Injectors, Water Pump, Fuel Pump & ECM (LOL \$5,000)

Covered Components:

- Complete Injector
- Fuel Injector Hard Lines
- Fuel Injection Pump
- Fuel Pump
- Engine Control Module (ECM)
- Water Pump

(CC) Turbo (LOL \$7,500)

Turbochargers include:

- Bearings
- Internal Variable Vane Assembly
- Turbine and Turbine Shaft
- Turbo Actuator

Transmission (LOL \$7,500)

Internally lubricated hard parts of the manual or automatic transmission include:

- Bands
- Bearings
- Blockers
- Bushings
- Drums
- Gear Sets
- Governor
- Oil Pump
- Shaft(s)
- Shift Forks
- Synchronizers
- Thrust Washers
- Torque Converter
- Valve Body

Differential (LOL \$7,500)

Internally lubricated hard parts include:

- Axle Housing
- Axle Shafts
- Bearings
- Bushings
- Carrier Case
- Gear Sets
- Limited Slip Clutch Pack
- Bearings
- Gears
- Shafts
- Shift Forks

Model Year 2014 Aftertreatment (LOL \$7,000)

Covered Components:

- Aftertreatment Electronic Control Module (ACM)
- Diesel Exhaust Fluid (DEF) Module with Injection Nozzle
- DEF Tank
- Diesel Oxidation Catalyst (DOC)
- DOC Doser Injector
- Diesel Particulate Filter (DPF)
- DPF Dosing Module
- Exhaust Gas Recirculation (EGR) Valves
- EGR Cooler(s)
- Hydrocarbon Doser Injector (HC Doser, 7th Injector, ARD, AHI Module)
- Selective Catalytic Reduction (SCR) Catalyst
- Sensor, Lambda (O₂ Sensor)
- Sensor, NOx (2)

Model Year 2015 & Newer Aftertreatment (LOL \$8,000)

Includes all 2014 Covered Components plus:

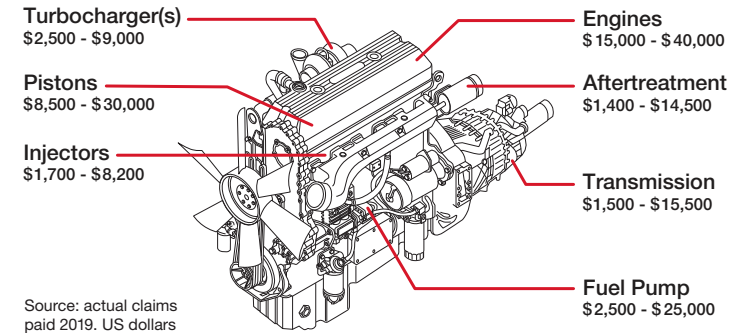
- Back Pressure Control Valve (BPV)
- DEF Heater Control Relay
- DEF Dosing Module - Wiring Harness
- DEF Heated Lines (3)
- DEF Heater Coolant Control Valve
- DEF Heating Elements
- DEF Heating Fittings (3 on Supply Module)
- DEF Pump and Module
- DEF Solution Level/Temperature Sensor
- Diesel Particulate Filter (DPF)
- DPF Air, Fuel, and Coolant Lines
- DPF Air, Fuel, Manifold Assembly
- EGR Actuator
- EGR Connecting Bellows and Clamps
- Exhaust Piping, Clamps, and Gaskets
- Exhaust Throttle Valve
- Hydrocarbon Doser Valve - Air, Fuel, and Coolant Lines; and Inline Air Filter
- Hydrocarbon Doser Valve (Voss Valve)
- SCR Decomposition Pipe and Pipe Elbows
- Sensor, BPV Pressure
- Sensor, Delta P (DPF Pressure)
- Sensor, DOC Inlet Pressure
- Sensor, DOC (Post) Temperature
- Sensor, DOC (Pre) Temperature
- Sensor, DPF Air Supply Pressure
- Sensor, DPF Back Pressure
- Sensor, DPF Fuel Pressure
- Sensor, Pressure After Exhaust Throttle Valve
- Sensor, SCR (Post) Temperature
- Sensor, SCR (Pre) Temperature
- Wiring Harness - Emission Systems (including overlay)

Major Components Repair Costs Range

The high cost to repair one major equipment failure could put your business in jeopardy. A Premium 2000+ warranty will protect your business, your investment and your livelihood.

HEAVY DUTY Class 8 Trucks

The range of a component repair cost will vary based on the damage and warranty coverage purchased.



Eligibility

- GVW Class 8 – Start miles up to 900,000 miles (on odometer or ECM), whichever is greater
- Class 8 warranty expiration capped at 1,000,000 (one million) total miles
- Model age must be 10 years from current year or newer

Underwriting

- New engine oil and filter required
- Check fault codes & perform preventative maintenance
- Continuing OEM maintenance recommendations must be followed
- Road test /performance evaluation to identify performance & operational issues
- Wrap coverage begins at expiration of prior OEM coverage (by age or mileage)
- Visual inspection of warranted components: identify leaks at seals, gaskets, and housing; verify engine performance (i.e. skips, misses, knocking, etc.)
- Repair identified deficiencies to maintain ROs of related underwriting repairs